

Standard Preparation 1400 mm Wall Cupboard with 2 Doors & Plate Rack

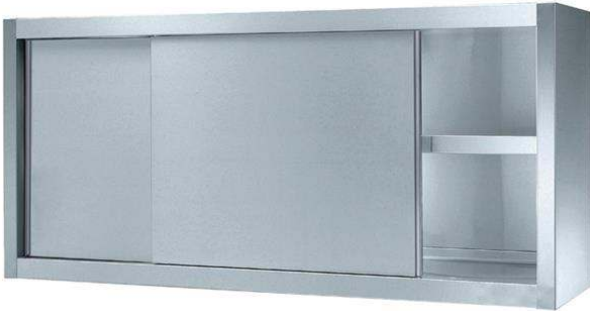
ITEM # _____

MODEL # _____

NAME # _____

SIS # _____

AIA # _____



133211 (PSS1400LCN)

Wall Cupboard with Plate
rack and 2 doors, 1400 mm

Short Form Specification

Item No. _____

Constructed in stainless steel. Back and bottom are made from a single bended stainless steel sheet for easier cleaning. Uprturned panel edges. Perforated base shelf and removable plate rack. Double-walled sliding doors. Loading capacity: 80kg.

Main Features

- Accessories available upon request: wall panels for installation with units equipped of splashbacks. Wall panel can be completed with rack to hold utensil containers, hooks, baskets, knife blocks and plate and glass racks.

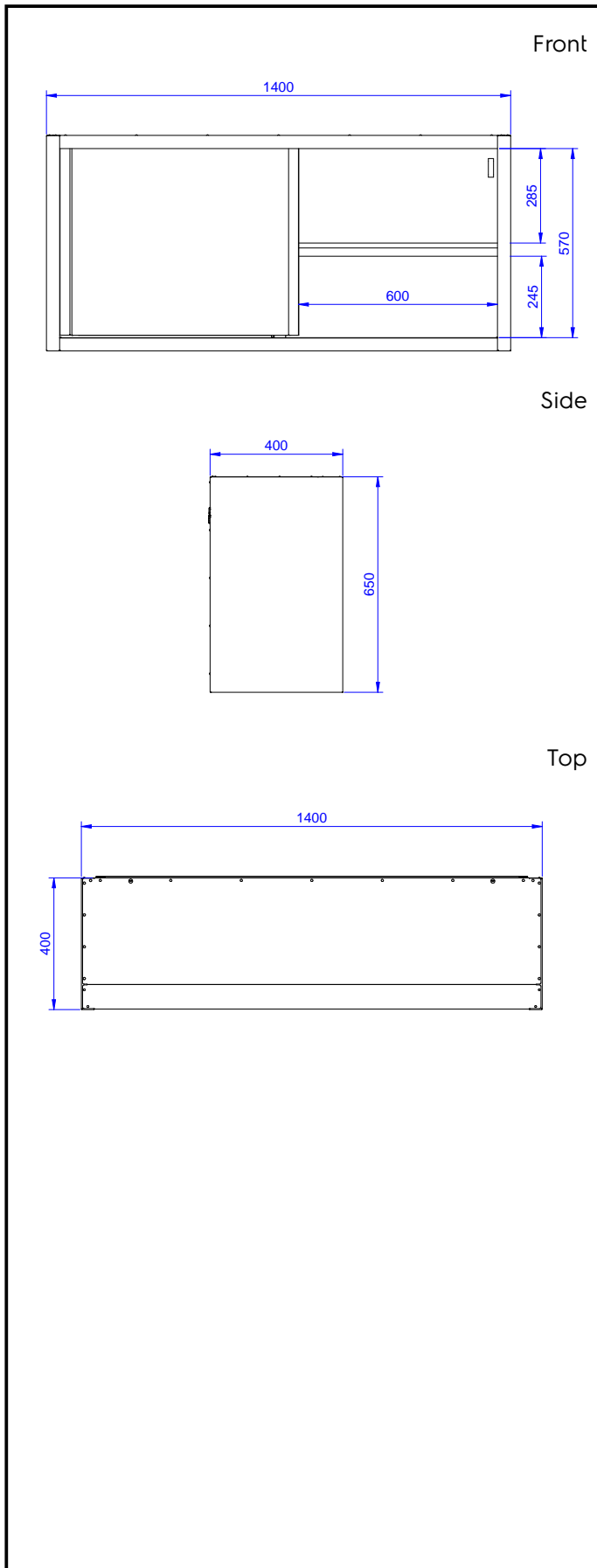
Construction

- Back and bottom panels composed of a single bended sheet for easier cleaning.
- Two double-walled sliding doors flush fitting to the front of the frame can easily be removed without the use of tools to facilitate cleaning of the cupboard interior.
- Wall cupboard features an ergonomic handle and internal plate rack, easily removable to facilitate cleaning.

Optional Accessories

- Lighting kit with led for wall cupboards (1000mm and 1200mm) PNC 850709
- Lighting kit with led for wall cupboards (1400mm, 1600mm and 1800mm) PNC 850710

APPROVAL: _____



Key Information:

N° of doors: 2
133211 (PSS1400LCN)
External dimensions, Width: 1400 mm
External dimensions, Depth: 400 mm
External dimensions, Height: 650 mm